

## DS-PDD12P-EG2



DS-PDD12-EG2 series of dual-tech detectors are equipped with K-Band 24GHz microwave and 3D fresnel lens technology. Non-interfering technology allowing back to back installation and no penetration through the wall. It allows the detector to be installed and setup quicker than traditional DT's giving time and cost saving advantages to the installer.

- Detection Range: 12m / 85.9°
- Up to 30kg pey immunity
- Automatic sensitivity
- Digital temperature compensation
- 52 zones of 3D optics including creep-zone protection, full coverage without dead angle
- selectable EOL resistors for alarm and tamper-proof wiring
- Sealed optics preventing insect interference
- 24Ghz microwave
- 9 to 16 V wide voltage adaptation with polarity reverse connection protection
- Wall/Ceiling-mounting brackets available (sold separately)
- IFT technology prevents false alarms

### ▪ Approval

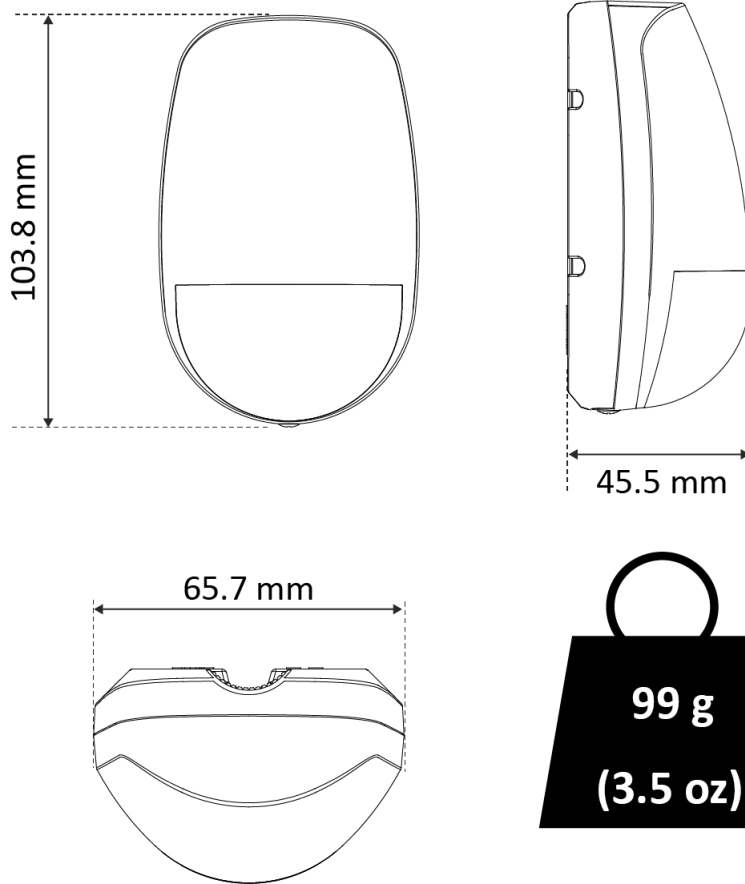
EN Grade 2
CE
FCC
CB
CCC
IC
RCM



## ▪ Specification

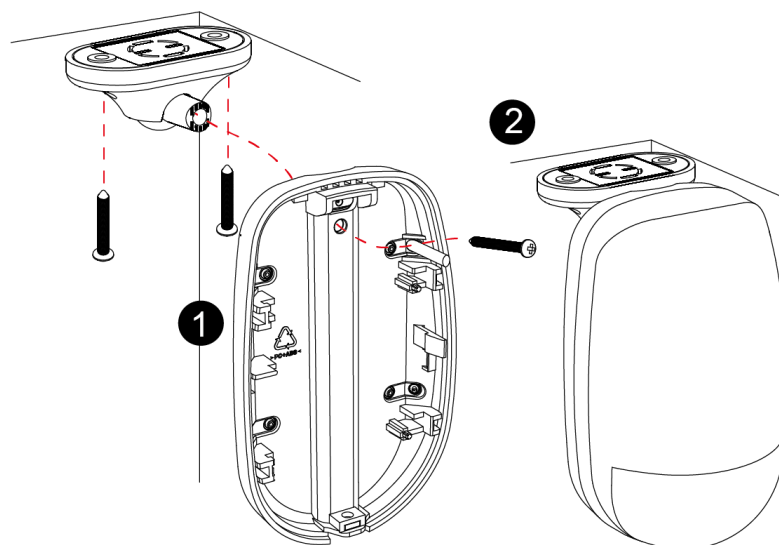
<b>Detection Performance</b>	
Detection Method	Passive Infrared,Microwave
Detection Range	12m
Detection Angle	85.9°
Detection Zones	52
Detectable Speed	0.3 ~ 2m/s
Sensitivity	Auto,Pet
Pet Immunity	30Kg
White Light Filter	6500lux
Microwave Frequency	24GHz(24.15 ~ 24.25GHz)
Digital Temperature Compensation	Support
Creep Zone Protection	Support
<b>Feature</b>	
Digital Processing	Support
Sealed Optics	Support
Tamper Protection	Front
<b>Interface</b>	
Alarm Output	Normally Closed
LED Indicator	Green(PIR), Orange(Microwave), Blue(Alarm)
<b>Transmission</b>	
Transmission Method	Wired
<b>Electrical Characteristics</b>	
Power Supply	9 to 16 VDC
Typical Voltage	12 VDC
Power Consumption	17mA Max
<b>General</b>	
Operation Temperature	-10 °C to 55 °C (14 °F to 131 °F)
Storage Temperature	-20 °C to 60 °C (-4 °F to 140 °F)
Operation Humidity	10% to 90%
Dimension(WxHxD)	65.7 mm (2.59 ") × 103.8 mm (4.09 ") × 45.5 mm (1.79 ")
Weight	99g (3.5 oz)
Mounting Height	1.8 m to 2.4 m
Mounting Method	Wall
Application Scenario	Indoor
Bracket	Optional wall & ceiling accessory

▪ **Dimension**

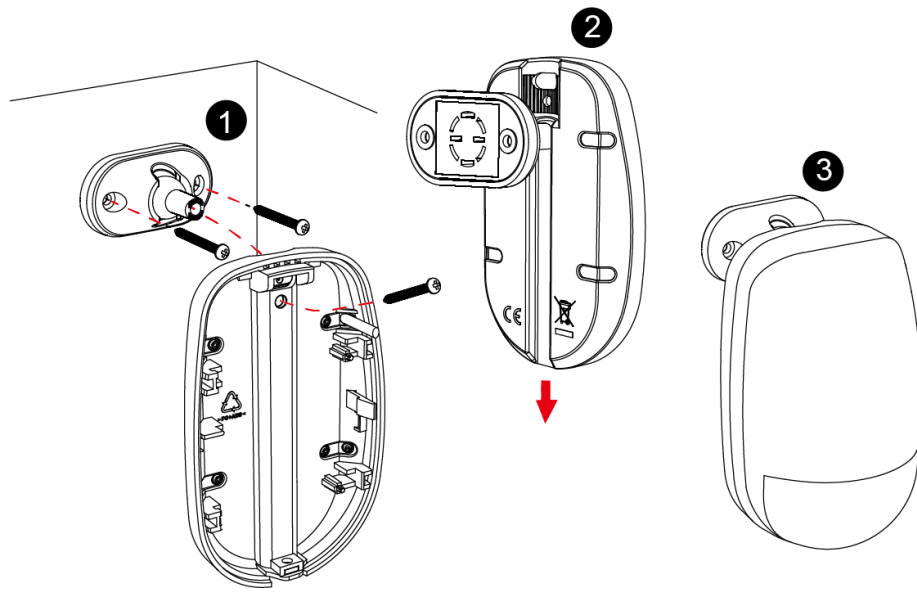


▪ **Installation**

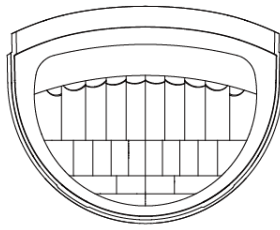
▪ **Ceiling Bracket Fitting**



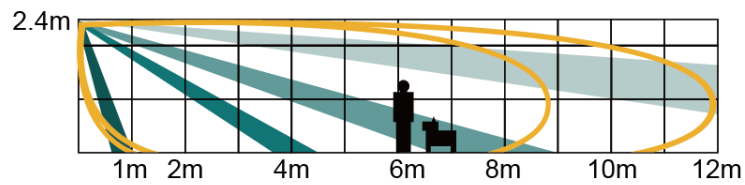
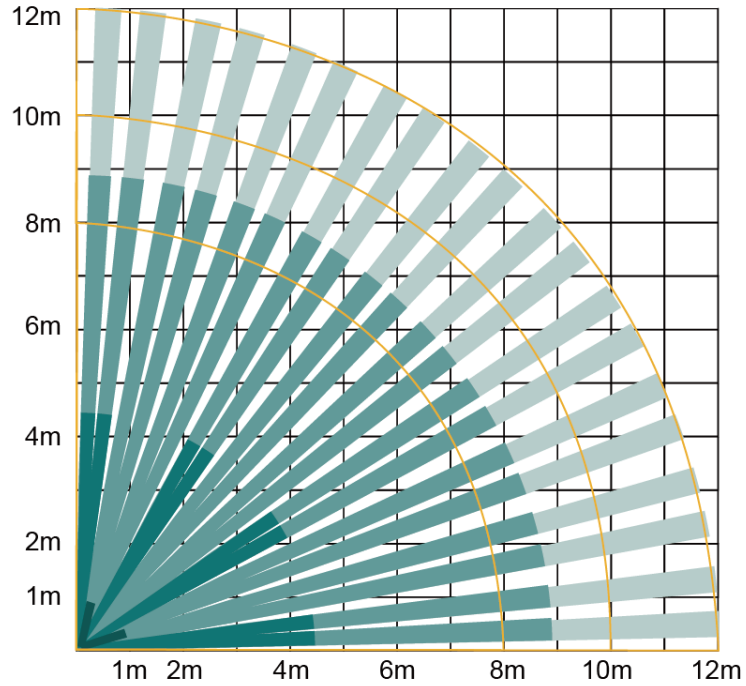
▪ Wall Bracket Fitting



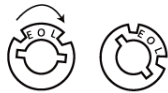
▪ Detection Range



Detection Range  
 85.9°  
 52 zones  
 4 planes



Microwave Range Control ———



Max: 11 to 12 m



Medium: 2 to 11 m



Min: 0 to 2 m

- Accessory
- Optional

DS-PDB-IN-Wallbracket Internal ceiling mounted bracket	DS-PDB-IN-Ceilin gbracket Internal wall mounted bracket	DS-PDB-IN-Universalbracket Internal universal bracket
		

## ▪ Available Model

DS-PDD12P-EG2

Distributed by



## HIKVISION®

### Headquarters

No.555 Qianmo Road, Binjiang District,  
Hangzhou 310051, China  
T +86-571-8807-5998  
overseasbusiness@hikvision.com

**Hikvision USA**  
T +1-909-895-0400  
sales.usa@hikvision.com

**Hikvision Australia**  
T +61-2-8599-4233  
salesau@hikvision.com

**Hikvision India**  
T +91-22-28469900  
sales@pramahikvision.com

**Hikvision Canada**  
T +1-866-200-6690  
sales.canada@hikvision.com

**Hikvision Thailand**  
T +662-275-9949  
sales.thailand@hikvision.com

**Hikvision Europe**  
T +31-23-5542770  
sales.eu@hikvision.com

**Hikvision Italy**  
T +39-0438-6902  
info.it@hikvision.com

**Hikvision Brazil**  
T +55 11 3318-0050  
Latam.support@hikvision.com

**Hikvision Turkey**  
T +90 (216)521 7070- 7074  
sales.tr@hikvision.com

**Hikvision Malaysia**  
T +601-7652-2413  
sales.my@hikvision.com

**Hikvision UK & Ireland**  
T +01628-902140  
sales.uk@hikvision.com

**Hikvision South Africa**  
Tel: +27 (10) 0351172  
sale.africa@hikvision.com

**Hikvision France**  
T +33(0)1-85-330-450  
info.fr@hikvision.com

**Hikvision Kazakhstan**  
T +7-727-9730667  
nikia.panfilov@hikvision.ru

**Hikvision Vietnam**  
T +84-974270888  
sales.vt@hikvision.com

**Hikvision UAE**  
T +971-4-4432090  
salesme@hikvision.com

**Hikvision Singapore**  
T +65-6684-4718  
sg@hikvision.com

**Hikvision Spain**  
T +34-91-737-16-55  
info.es@hikvision.com

**Hikvision Tashkent**  
T +99-87-1238-9438  
uzb@hikvision.ru

**Hikvision Hong Kong**  
T +852-2151-1761  
info.hk@hikvision.com

**Hikvision Russia**  
T +7-495-669-67-99  
saleru@hikvision.com

**Hikvision Korea**  
T +82-(0)31-731-8817  
sales.korea@hikvision.com

**Hikvision Poland**  
T +48-22-460-01-50  
info.pl@hikvision.com

**Hikvision Indonesia**  
T +62-21-2933759  
Sales.Indonesia@hikvision.com

**Hikvision Colombia**  
sales.colombia@hikvision.com