

DS-1279ZJ (Black)

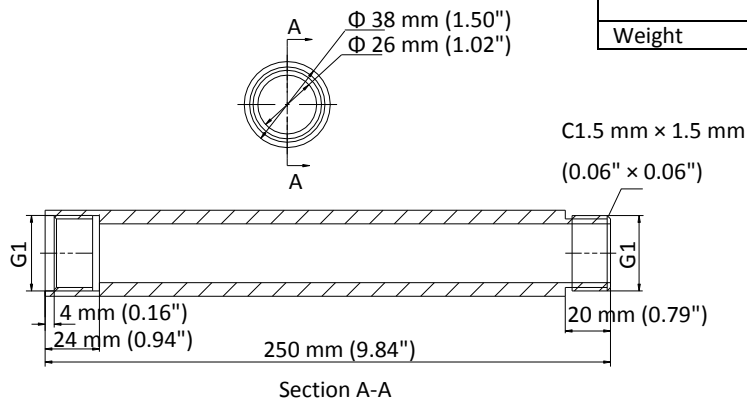
Extendable Pole for Pendant Mount



Features:

- Aluminum alloy material with surface spray treatment
- Match up with pendant mount (DS-1271ZJ)

Dimension:



Order Model:

DS-1279ZJ (Black)

Parameter:

Model	DS-1279ZJ (Black)
Parameters	Extendable Pole for Pendant Mount
Appearance	Hikvision Black
Material	Aluminum Alloy
Dimension	Φ 38 mm × 250 mm (Φ 1.50" × 9.84")
Weight	Approx. 370 g (0.82 lb.)