

The JA-110G-CO BUS module for carbon monoxide detectors Ei208(D)W

The JA-110G-CO is a plug-in module that can be connected directly to the Ei208W/Ei208DW stand-alone carbon monoxide detectors and will allow BUS connection to the JABLOTRON 100 system. It provides information about alarm activation or deactivation and low battery status.

The module occupies one position in the system and should be installed by a trained technician with a valid certificate issued by an authorised distributor.

Installation

Select an appropriate installation place considering the Ei208(D)W detector installation manual

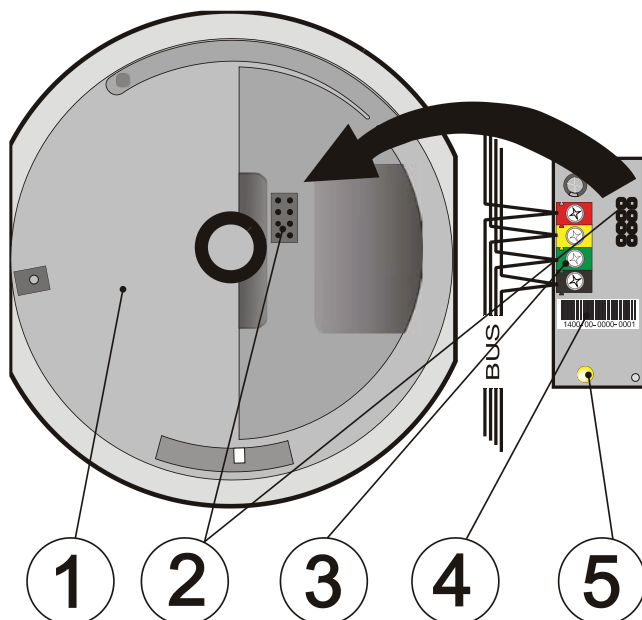


Figure: 1 – Ei 208(D)W detector, 2 – connector to plug-in an Ei208(D)W to a module, 3 – JA-100 system BUS terminal, 4 – production code, 5 – LED indicator

Installation procedure:



When connecting the module to the system BUS, always firstly switch the power off.

1. Open the detector by turning anti-clockwise against the mounting base
2. Use the supplied silicone pad for installation. The pad eliminates unwanted airflow through the detector installation holes. Airflow could have a negative influence on carbon monoxide detection
3. Put the cable through the silicone pad and mounting base (punch a hole through the prepared places)
4. Attach the mounting base to the wall. Make sure the detector clings to the silicone pad reliably (possible leakage could have a negative influence on detector measurement)
5. Connect the BUS wires to the module terminal (3)
6. Plug the module into the detector's connector (2). Pay attention to correct cable storage to avoid module extrusion from the detector
7. When the system power has been turned on then the yellow LED (5) flashes and it indicates the module is correctly connected but has not been enrolled to the system yet. The LED indicator shines through the front panel above the ALARM indicator.
8. Using **F-Link** software, select the required position in the **Devices** window and launch the enrollment mode by clicking on the **Enroll** option.
9. Assemble the detector onto the mounting base and lock it by turning clockwise. The module is thus turned on and enrolled to the control panel simultaneously. The yellow LED (5) goes off.

Note: Enrolling the module to the system is possible by entering the production code (4) via F-Link software. All digits in the production code are required (1400-00-0000-0001). The production code can be found on the sticker under the bar code, glued on the PCB of the module.

To perform testing and normal operation see the Ei208(D)W detector installation manual.

Technical specifications

Power	from the control panel BUS 12 V (9...15 V)
Current consumption in standby mode	5 mA
Current consumption for cable choice	5 mA
Dimensions	48 x 19 x 14 mm
Environmental class	II. indoor general (acc. EN 50131-1)
Operational temperature range	-10 °C to +40 °C
Comply with	EN 50130-4, EN 55022, EN 50581



JABLOTRON ALARMS a.s. hereby declares that the JA-110G-CO is in a compliance with the relevant Union harmonisation legislation: Directives No: 2014/30/EU, 2011/65/EU. The original of the conformity assessment can be found at www.jablotron.com - Section Downloads.



Note: Although this product does not contain any harmful materials we suggest you return the product to the dealer or directly to the producer after use.